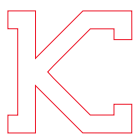


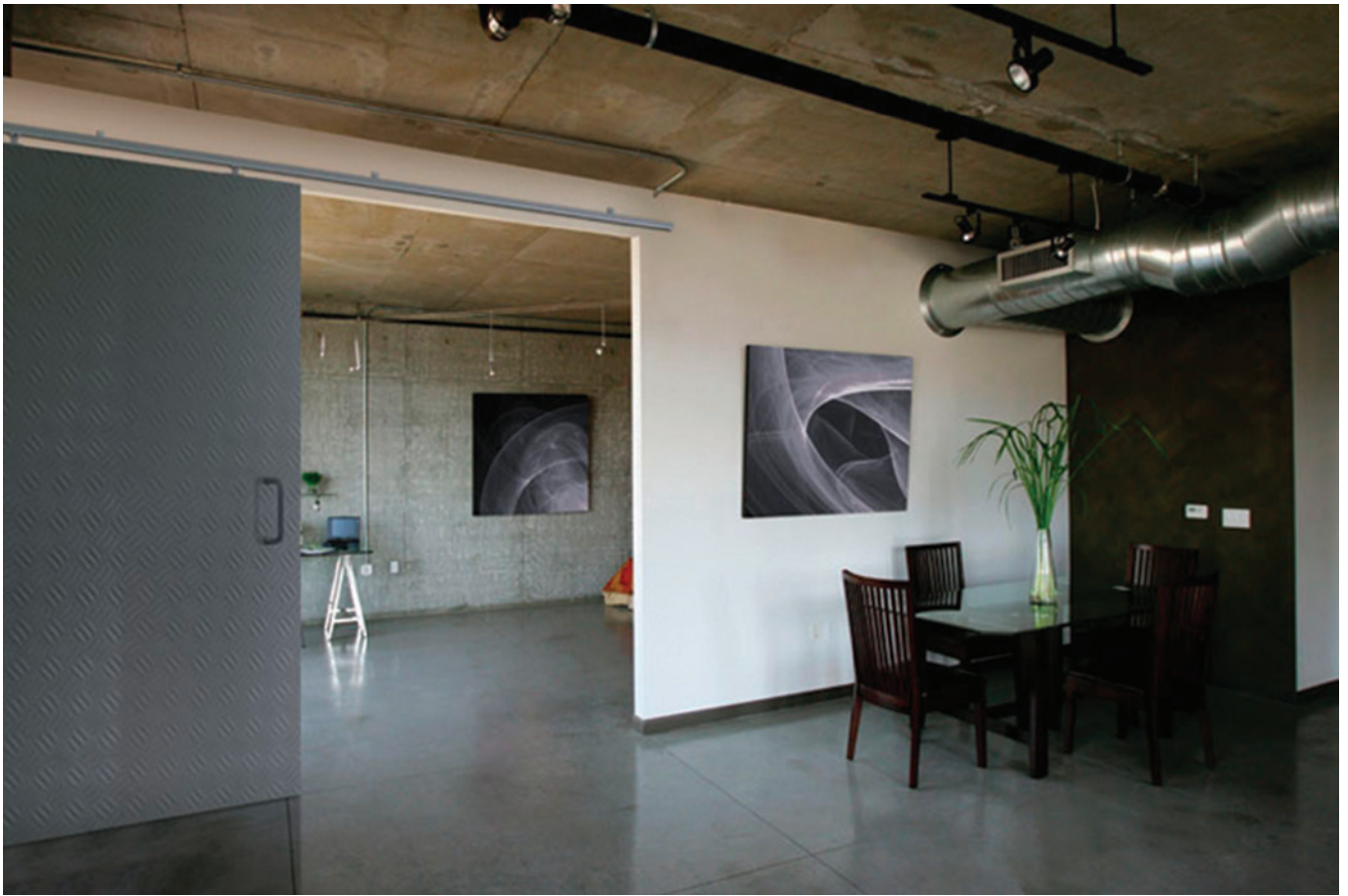


K

Sistema de puertas correderas
Sliding doors system
Système de portes coulissantes
Schiebetür System



KLEIN®



ESP

K está diseñado para dividir ambientes a través de un panel de madera o de metal para proyectos industriales.

- Ideal para aperturas en almacenes industriales, garajes, trasteros...
- Sistema que se caracteriza por robustez y durabilidad.
- Perfil de acero "Neocrom" (K40/75, K150/300, K500/1000) o "Sendzimir" (K40/75, K150/300).
- Perfil inferior disponible para un mejor deslizamiento de las puertas anchas.
- Rodamientos de bolas (K500/1000) o "Full Ball Bearings" (K40/75, K150/300).
- Puertas hasta 1.000 Kg.
- Instalación a pared o a techo.

Sistemas testados hasta 100.000 ciclos según la norma EN1527.

FRA

K a été conçu pour la distribution d'espaces, avec un panneau en bois ou en métal, de projets industriels.

- Idéal pour ouverture d'entrepôts industriels, de garages, pièces de débarras...
- Système qui se caractérise par la robustesse et la durabilité.
- Rail en acier "Neocrom" (K40/75, K150/300, K500/1000) ou "Sendzimir" (K40/75, K150/300).
- Rail inférieur disponible pour meilleur coulissement des portes très larges.
- Roulement à billes (K500/1000) ou "Full Ball Bearings" (K40/75, K150/300).
- Pour portes jusqu'à 1.000 Kg.
- Installation au mur ou au plafond.

Systèmes testés jusqu'à 100.000 cycles selon la norme EN1527.

ENG

K has been designed to separate rooms by a wooden or metal panel and is ideal for industrial projects.

- Ideal for entrances to industrial warehouses, garages, storerooms, etc.
- Robustness and durability.
- "Neocrom" (K40/75, K150/300, K500/1000) or "Sendzimir" (K40/75, K150/300) steel profile.
- Lower profile available to improve the sliding action of wide doors.
- Ball bearing system (K500/1000) or Full Ball Bearing (K40/75, K150/300).
- Supports doors up to 1.000 Kg.
- Wall or ceiling mounted.

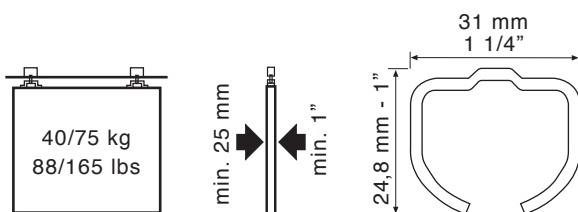
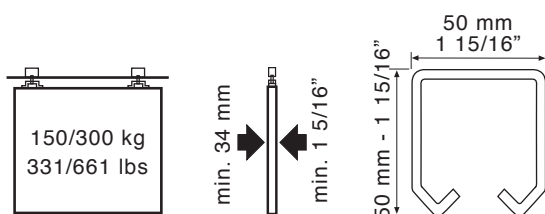
Systems tested up to 100.000 cycles as per standard EN1527.

DEU

K ist dafür ausgelegt, bei industriellen Projekten oder begrenztem Budget ein Ambiente durch ein Holz- oder Metallpaneel abzutrennen.

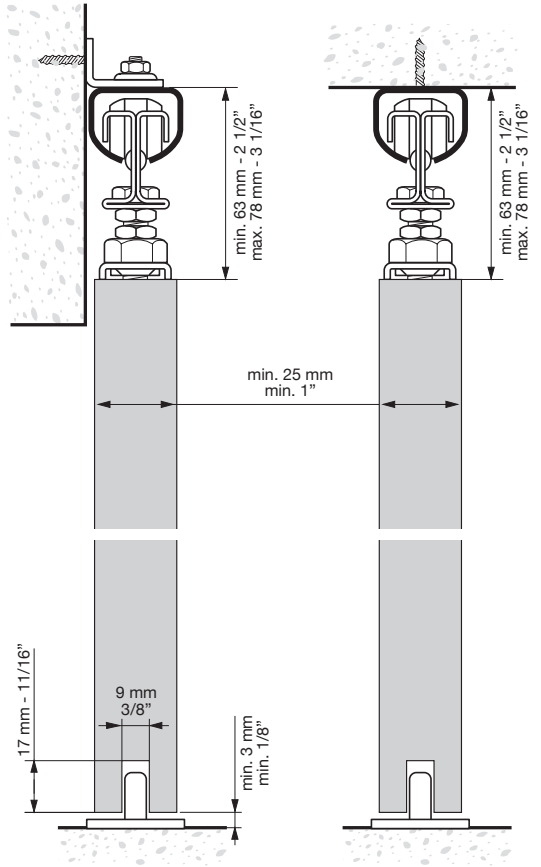
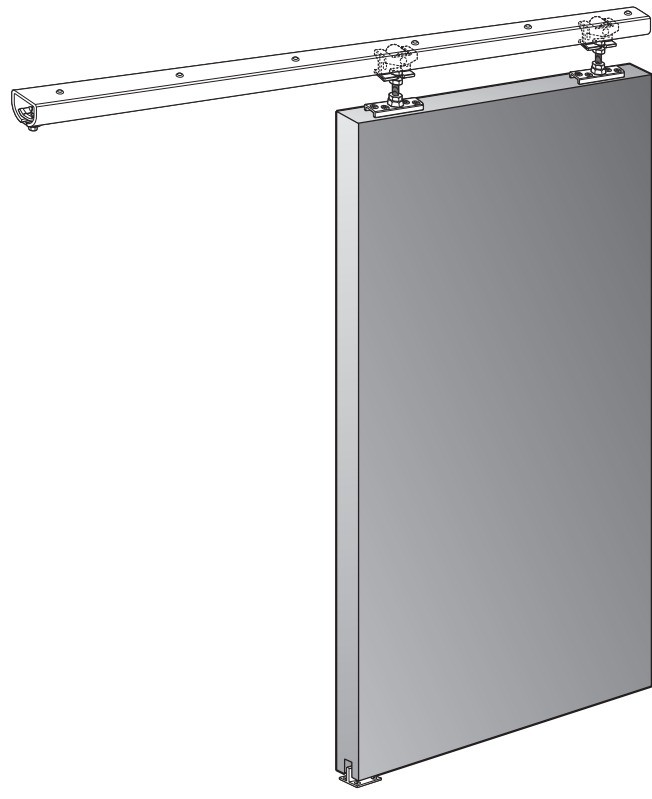
- Ideal für Öffnungen in Industrielagern, Garagen, Abstellräumen...
- Das System legt Wert auf Robustheit und Haltbarkeit.
- „Neocrom“ Stahlprofil (K40/75, K150/300, K500/1000) oder „Sendzimir“ (K40/75, K150/300).
- Bodenlaufschiene zum besseren Gleiten breiter Türen erhältlich.
- Kugellager (K500/1000) oder „Full Ball Bearings“ Kugellager (K40/75, K150/300).
- Türen bis 1.000 Kg.
- Wand- oder Deckenmontage.

Systeme gemäß der Norm EN1527 bis 100.000 Zyklen getestet.

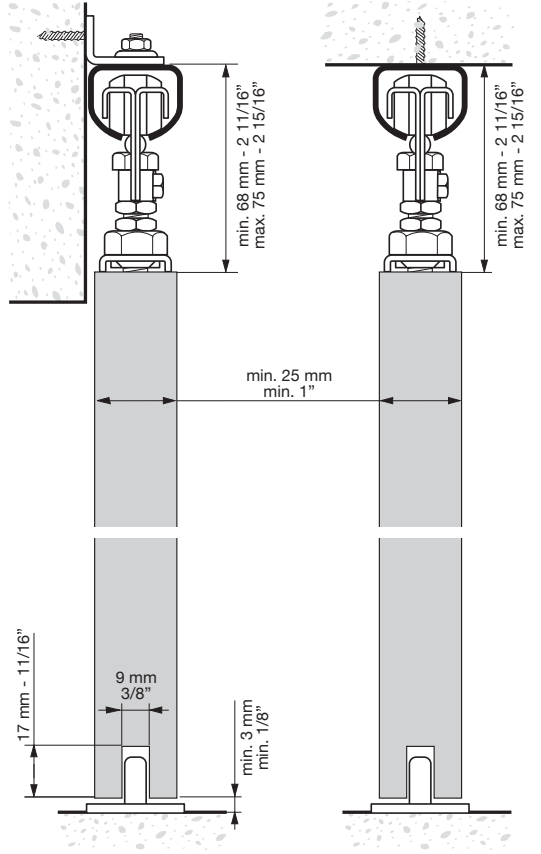
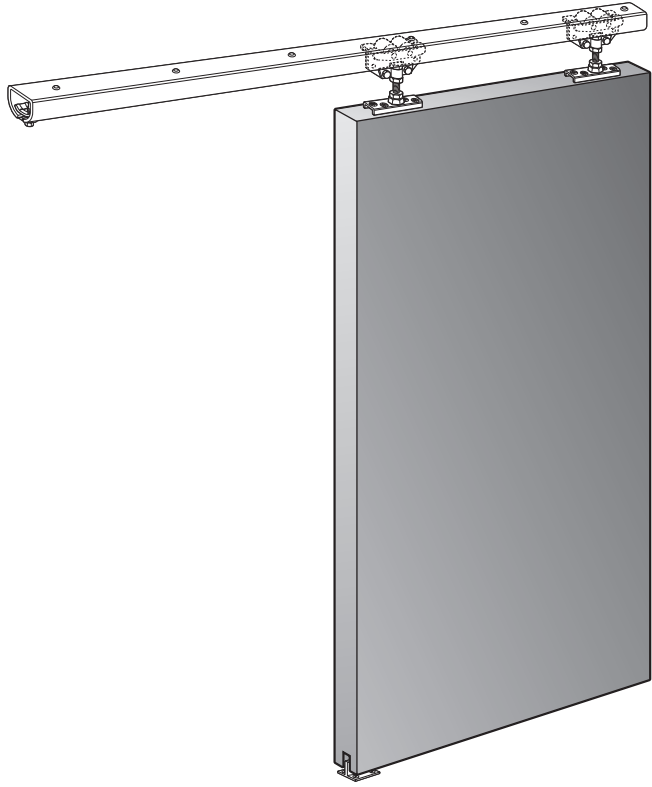
K 40/75**K 150/300****K 500/1000**

K

K 40



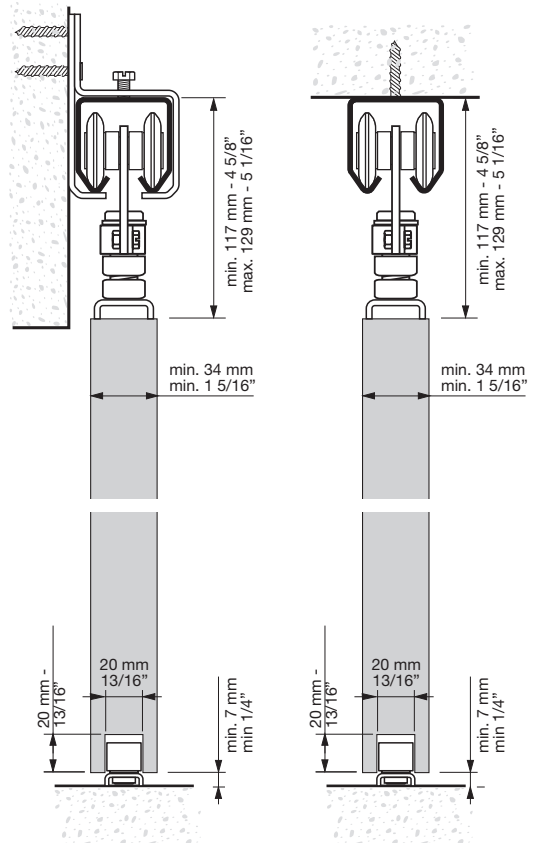
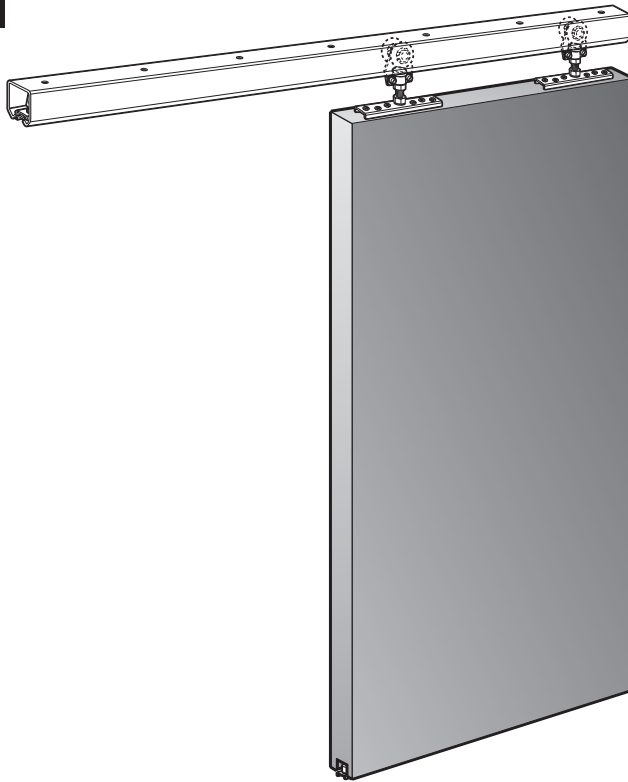
K 75



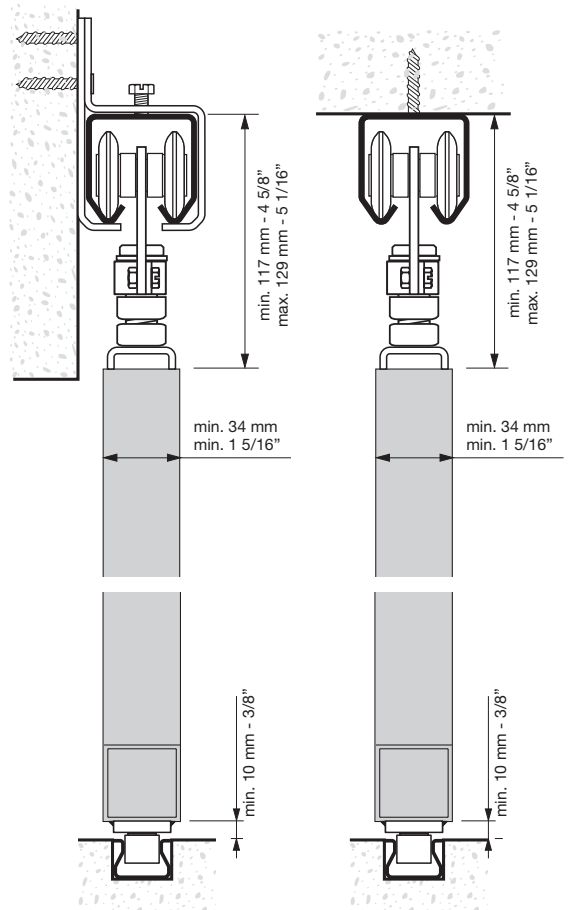
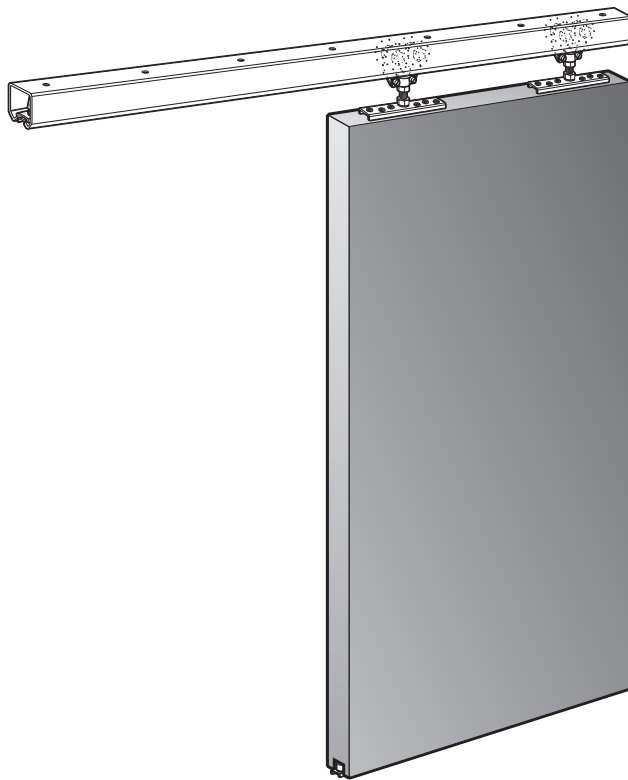
DISEÑO INDUSTRIAL / INDUSTRIAL DESIGN / DESIGN INDUSTRIEL / GEWERBLICHE VERWENDUNG



K 150

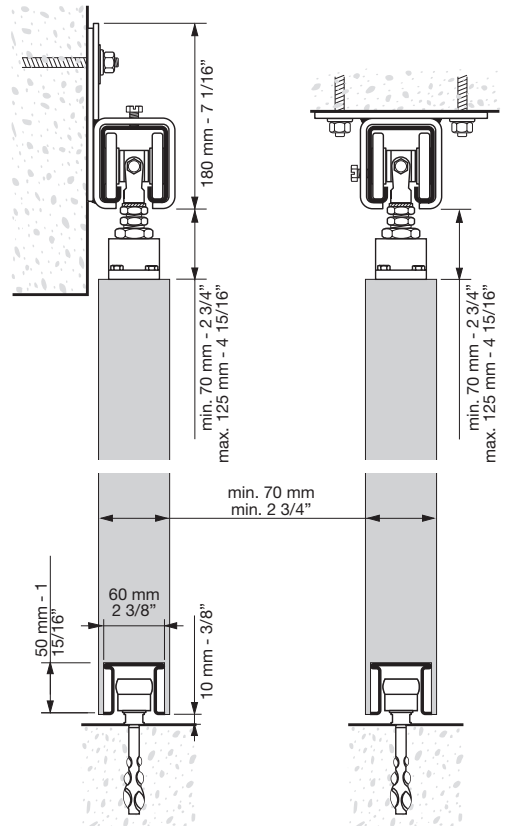
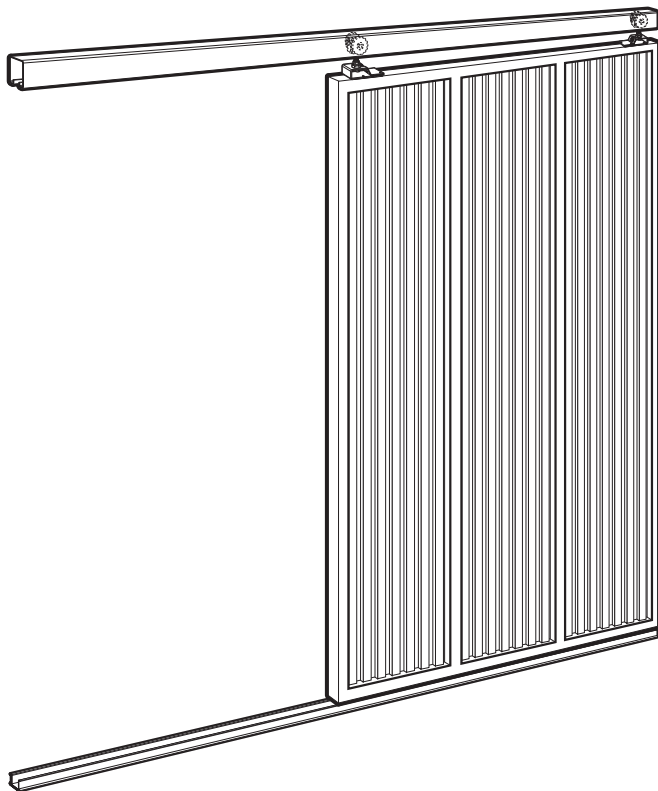


K 300

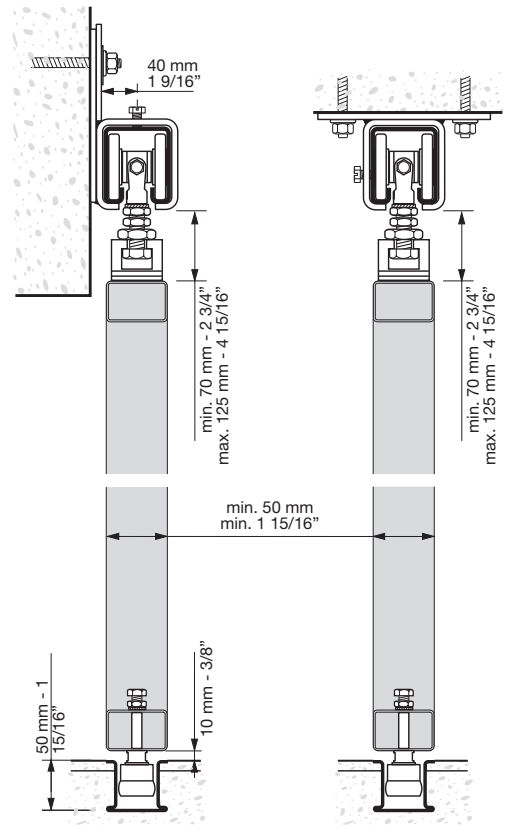
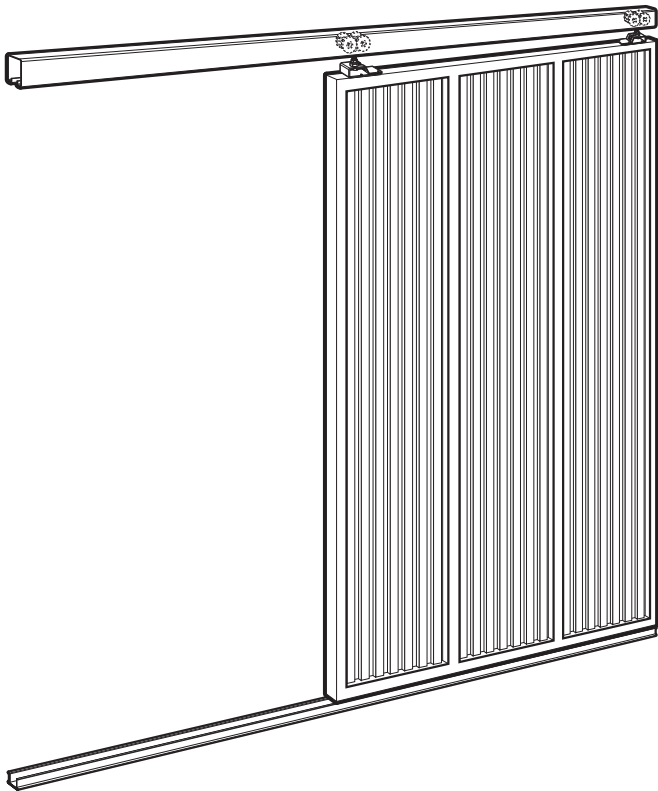




K 500



K 1000





ESP

K 40/75			
Ref.	Descripción	U.	Img.
0841	PF. ACERO NEOCROM 1,50m	10	A
0842	PF. ACERO NEOCROM 2m	10	A
0844	PF. ACERO NEOCROM 3m	10	A
0850	PF. ACERO NEOCROM 5m	10	A
0871	PF. ACERO SENDZIMIR 1,50m	10	B
0872	PF. ACERO SENDZIMIR 2m	10	B
0873	PF. ACERO SENDZIMIR 3m	10	B
0859	PF. ACERO SENDZIMIR 5m	10	B
0877	PF. ACERO SENDZIMIR 6m	10	B
0852	JGO. ACC. K40	10	G
0862	JGO. ACC. K75	10	H
0851	SOPORTE PARED	100	M

K 150/300			
Ref.	Descripción	U.	Img.
3619	PF. ACERO NEOCROM 3m	2	C
3624	PF. ACERO NEOCROM 4m	2	C
3628	PF. ACERO NEOCROM 5m	2	C
3629	PF. ACERO SENDZIMIR 5m	2	C
5502	JGO. ACC. K150	1	I
5501	JGO. ACC. K150	2	I
5602	JGO. ACC. K300	1	J
5601	JGO. ACC. K300	2	J
3370	PF. INF. ACERO NEOCROM 5m	1	D
3373	PF. INF. ACERO SENDZIMIR 5m	1	D
5521	SOPORTE PARED K	10	T

K 500/1000			
Ref.	Descripción	U.	Img.
3825	PF. ACERO NEOCROM 5m	1	E
3807	JGO. ACC. K500	1	K
3808	JGO. ACC. K1000	1	L
3879	GUIADOR INFERIOR K 500/1000	1	N
3881	SOPORTE PARED K 500/1000	1	O
3882	SOPORTE TECHO K 500/1000	1	P
3885	EMPALME PF. K 500/1000	1	Q
3886	FRENO TOPE K 500/1000	1	R
3888	TOPE PUERTA K 500/1000	1	S

ENG

K 40/75			
Ref.	Description	Units	Img.
0841	PF. STEEL NEOCROM 1'50m	10	A
0842	PF. STEEL NEOCROM 2m	10	A
0844	PF. STEEL NEOCROM 3m	10	A
0850	PF. STEEL NEOCROM 5m	10	A
0871	PF. STEEL SENDZIMIR 1'50m	10	B
0872	PF. STEEL SENDZIMIR 2m	10	B
0873	PF. STEEL SENDZIMIR 3m	10	B
0859	PF. STEEL SENDZIMIR 5m	10	B
0877	PF. STEEL SENDZIMIR 6m	10	B
0852	SET OF ACC. K40	10	G
0862	SET OF ACC. K75	10	H
0851	WALL BRACKET K40/K75	100	M

K 150/300			
Ref.	Description	Units	Img.
3619	PF. STEEL NEOCROM 3m	2	C
3624	PF. STEEL NEOCROM 4m	2	C
3628	PF. STEEL NEOCROM 5m	2	C
3629	PF. STEEL SENDZIMIR 5m	2	C
5502	SET OF ACC. K150	1	I
5501	SET OF ACC. K150	2	I
5602	SET OF ACC. K300	1	J
5601	SET OF ACC. K300	2	J
3370	BOTTOM PF. STEEL NEOCROM 5m	1	D
3373	BOTTOM PF. STEEL SENDZIMIR 5m	1	D
5521	WALL BRACKET K	10	T

K 500/1000			
Ref.	Description	Units	Img.
3825	PF. STEEL NEOCROM 5,00m	1	E
3807	SET OF ACC. K500	1	K
3808	SET OF ACC. K1000	1	L
3879	BOTTOM GUIDE K500/K1000 FIXED ON FLOOR	1	N
3881	WALL BRACKET K500/1000	1	O
3882	CEILING BRACKET K500/1000	1	P
3885	PROFILE JOINT FOR K500/K1000	1	Q
3886	STOPPER K500/K1000	1	R
3888	DOUBLE END STOPPER K500/1000	1	S



Referencias / References / Références / Referenz

FRA

K 40/75			
Ref.	Description	Unités	Img.
0841	TK STEEL NEOCROM 1'50m	10	A
0842	TK STEEL NEOCROM 2m	10	A
0844	TK STEEL NEOCROM 3m	10	A
0850	TK STEEL NEOCROM 5m	10	A
0871	TK STEEL SENDZIMIR 1,50m	10	B
0872	TK STEEL SENDZIMIR 2m	10	B
0873	TK STEEL SENDZIMIR 3m	10	B
0859	TK STEEL SENDZIMIR 5m	10	B
0877	TK STEEL SENDZIMIR 6m	10	B
0852	SET OF ACC. K40	10	G
0862	SET OF ACC. K75	10	H
0851	WALL BRACKET K40/K75	100	M

DEU

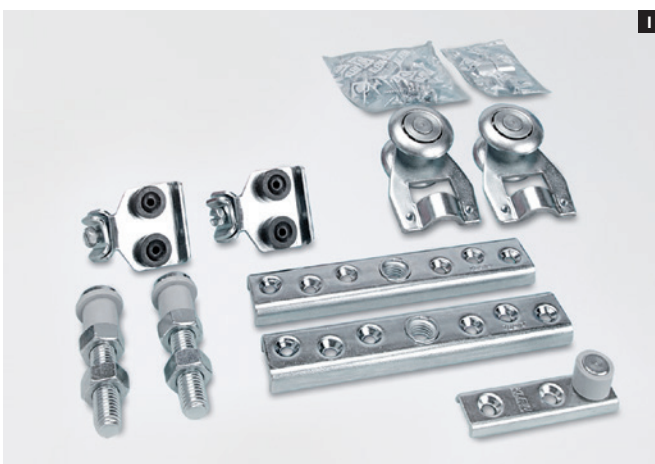
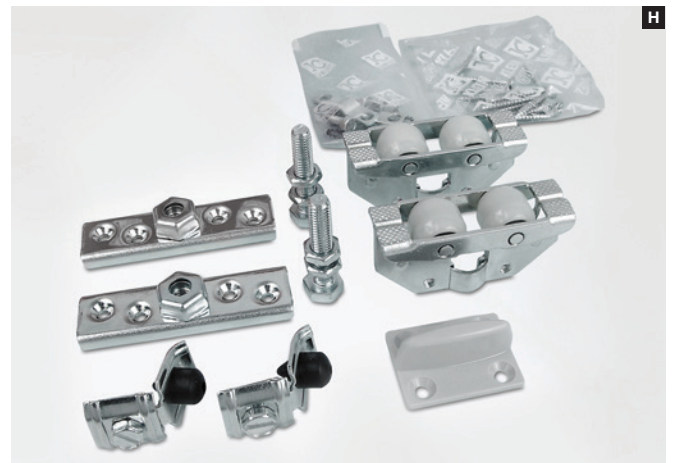
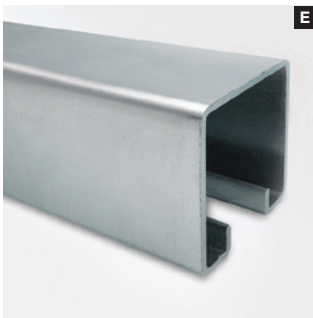
K 40/75			
Ref.	Beschreibung	Ein.	Bild
0841	PF. STAHL NEOCHROM 1'50m	10	A
0842	PF. STAHL NEOCHROM 2m	10	A
0844	PF. STAHL NEOCHROM 3m	10	A
0850	PF. STAHL NEOCHROM 5m	10	A
0871	PF. STAHL SENDZIMIR 1'50m	10	B
0872	PF. STAHL SENDZIMIR 2m	10	B
0873	PF. STAHL SENDZIMIR 3m	10	B
0859	PF. STAHL SENDZIMIR 5m	10	B
0877	PF. STAHL SENDZIMIR 6m	10	B
0852	ZUBEHÖRSET K40	10	G
0862	ZUBEHÖRSET K75	10	H
0851	WANDBEFESTIGUNG	100	M

K 150/300			
Ref.	Description	Unités	Img.
3619	RAIL ACIER NEOCROM 3m	2	C
3624	RAIL ACIER NEOCROM 4m	2	C
3628	RAIL ACIER NEOCROM 5m	2	C
3629	RAIL ACIER SENDZIMIR 5m	2	C
5502	JEU ACC. K150	1	I
5501	JEU ACC. K150	2	I
5602	JEU ACC. K300	1	J
5601	JEU ACC. K300	2	J
3370	RAIL INF. ACIER NEOCROM 5m	1	D
3373	RAIL INF. ACIER SENDZIMIR 5m	1	D
5521	SUPPORT MURAL K	10	T

K 150/300			
Ref.	Beschreibung	Ein.	Bild
3619	PF. STAHL NEOCHROM 3m	2	C
3624	PF. STAHL NEOCHROM 4m	2	C
3628	PF. STAHL NEOCHROM 5m	2	C
3629	PF. STAHL SENDZIMIR 5m	2	C
5502	ZUBEHÖRSET K150	1	I
5501	ZUBEHÖRSET K150	2	I
5602	ZUBEHÖRSET K300	1	J
5601	ZUBEHÖRSET K300	2	J
3370	UNTERES PF. STAHL NEOCHROM 5m	1	D
3373	UNTERES PF. STAHL SENDZIMIR 5m	1	D
5521	WANDBEFESTIGUNG K	10	T

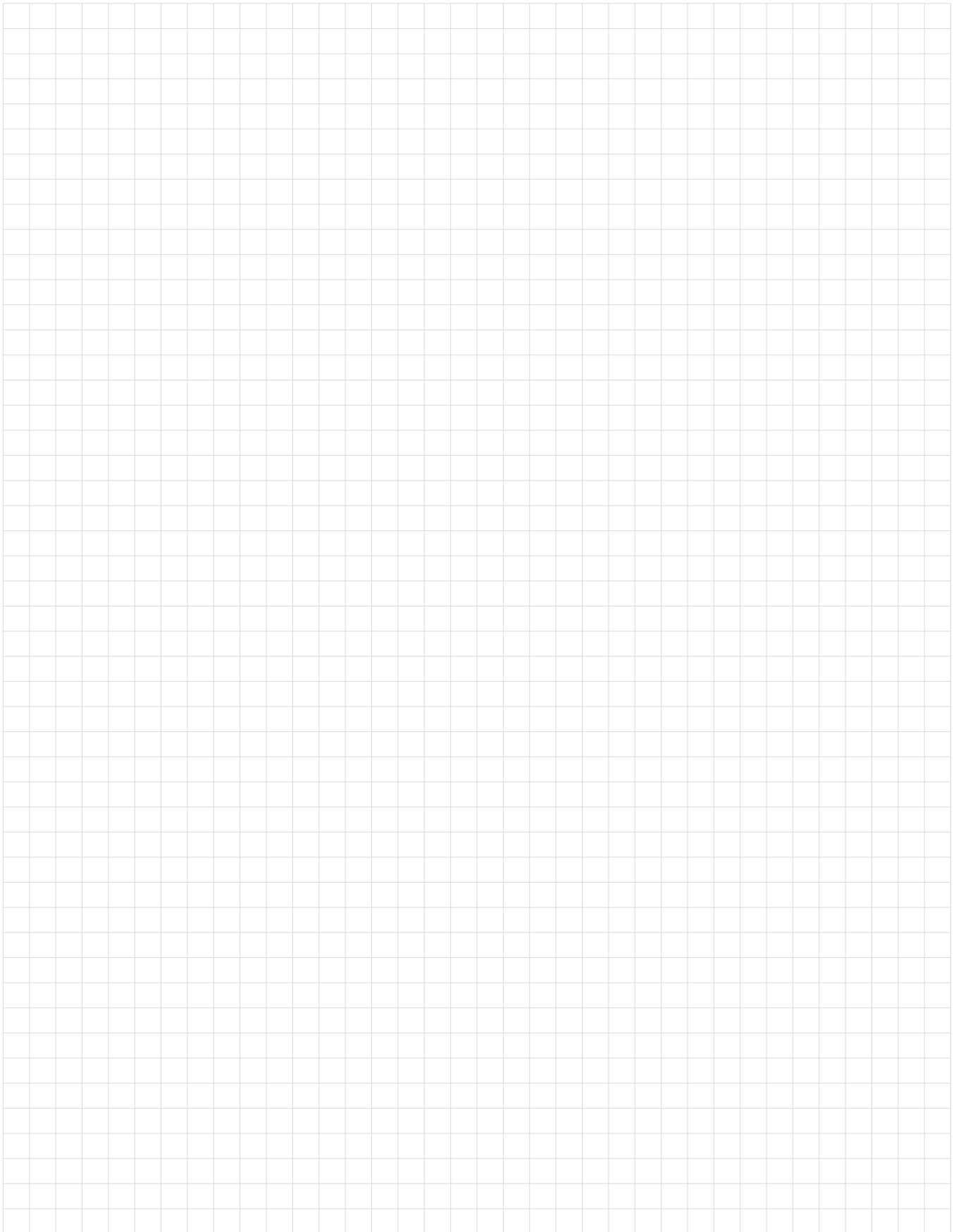
K 500/1000			
Ref.	Description	Unités	Img.
3825	RAIL ACIER NEOCROM 5m	1	E
3807	JEU ACC. K500	1	K
3808	JEU ACC. K1000	1	L
3879	GUIDE INFÉRIEUR K500/1000	1	N
3881	SUPPORT MURAL K500/1000	1	O
3882	SUPPORT PLAFOND K500/1000	1	P
3885	CONNEXION RAIL K500/1000	1	Q
3886	FREIN-BUTOIR K500/1000	1	R
3888	BUTOIR PORTE K500/1000	1	S

K 500/1000			
Ref.	Beschreibung	Ein.	Bild
3825	PF. STAHL NEOCHROM 5m	1	E
3807	ZUBEHÖRSET K500	1	K
3808	ZUBEHÖRSET K1000	1	L
3879	UNTERE FÜHRUNG K500/1000	1	N
3881	WANDBEFESTIGUNG K500/1000	1	O
3882	DECKENHALTERUNG K500/1000	1	P
3885	VERBINDUNGSTEIL PROFIL K500/1000	1	Q
3886	BREMSE-ANSCHLAG K500/1000	1	R
3888	TÜRANSCHLAG K500/1000	1	S



K

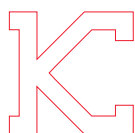






Ver nuestras condiciones de ventas /
See conditions in our sales policy

416-0570-02-16 V008



KLEIN EUROPE
Edificio KLEIN
Polígono Industrial Can Cuyás
N-150 Km.1
08110 Montcada i Reixac
(Barcelona-Spain)

Tel: (+34) 935 760 101
Fax: (+34) 935 760 109
+INFO
klein@klein.es
www.klein-europe.com

KLEIN®